

# SP25WP3RY Wall mount Series

ITE - Fixed wall mount



13 - 25 Watts

## Highlights:

- ✓ 13 - 25 W output power
- ✓ 3 - 48 Vdc
- ✓ US, EU, AUS, UK, Korea, China, Argentina AC input options
- ✓ RoHS, REACH, DoE VI, CoC v5 Tier 2 compliant
- ✓ Certified: UL/CUL|CE|PSE|CCC|KC
- ✓ 3 Year Warranty
- ✓ Can be modified or customized for an exact fit solution

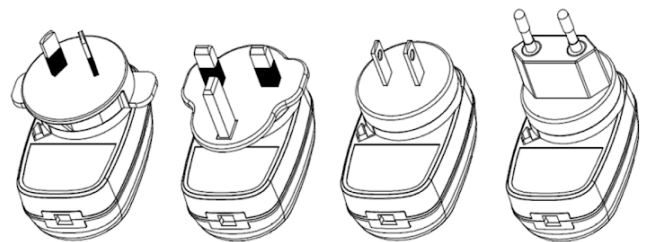
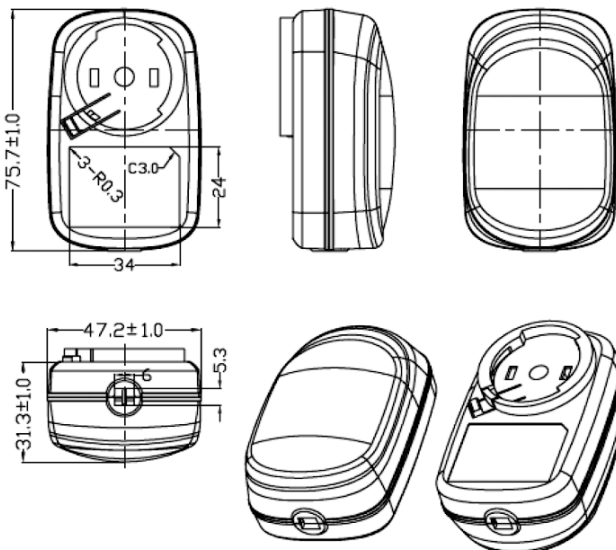


## Output voltage and current

Output Voltage Range:	Output Current:	Output Power:
3 - 7.5 Vdc	4.2 A Max	21 W Max
7.6 - 20 Vdc	2.08 A Max	25 W Max
20.1 - 48 Vdc	1.24 A Max	25 W Max

## Electrical Characteristics

Input Voltage & Frequency:	90 - 264 (47 - 63 Hz)
Input Current:	0.6 A Max
Leakage Current:	Class I: 3.5mA Max.   Class II: 0.25mA Max.
Ripple & Noise (Pk-Pk):	1% of O/P voltage
Operating Temperature:	-20°C to +40°C
Efficiency:	DoE Level 6 (VI) EC:2019/1782 CoC v5 Tier 2
Withstanding Voltage:	Input to Output: 3000 VAC
Mean Time Between Failure (MTBF):	100,000 Hrs Min. (Telcordia SR-332)
Protections:	Short Circuit Protection, Over-voltage Protection, Over-current Protection, Over-temperature Protection
Industry Compliance:	Directive (EU) 2015/863 (RoHS 3), REACH, DoE VI, EC:2019/1782, CoC v5 Tier 2
EMI/EMC Requirements:	FCC Part 15 Class B, EN 55032 Class B, AS/NZS CISPR-32 Class B, J55032(H29), ICES-003, EN 55035, EN/IEC 61000-3-2, -3-3, GB 17625.1-2022
Safety Compliance:	UL/CSA:62368(Ed.2), EN:62368(Ed.2), J:62368(Ed.3)(available), GB:4943.1-2022, KC:62368, Argentina (62368-1 ed.3)



Not seeing what you are looking for? Contact us:

Tel. (516) 433-1313 · 264 Duffy Avenue, Hicksville, New York 11801 · [www.apxonline.com](http://www.apxonline.com) · Email: [sales@apxonline.com](mailto:sales@apxonline.com)