

Highlights:

- ✓ 180 - 240 W output power
- ✓ 9 - 57 Vdc
- ✓ IEC320 C14, C6 AC input options
- ✓ RoHS, REACH, DoE VI, CoC v5 Tier 2 compliant
- ✓ Certified: UL/CUL|CE|PSE|CCC
- ✓ 3 Year Warranty
- ✓ Can be modified or customized for an exact fit solution

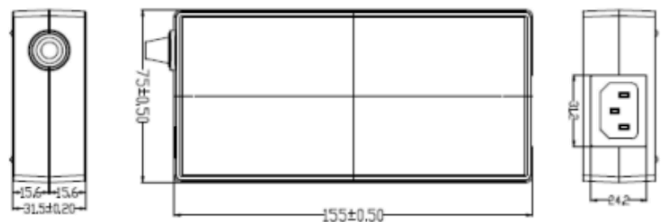
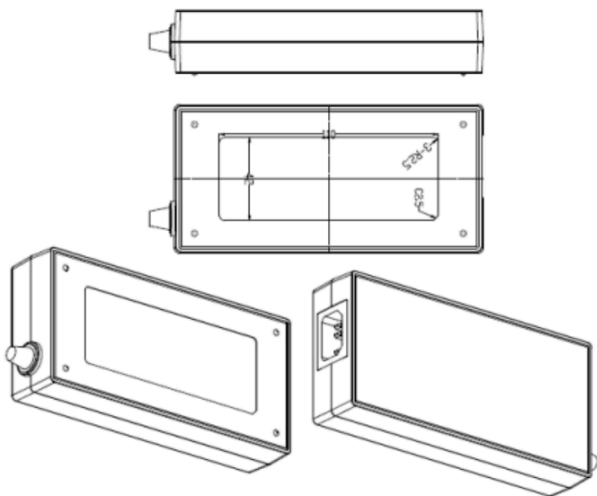


Output voltage and current

Output Voltage Range:	Output Current:	Output Power:
9 - 14.9 Vdc	20 A Max	240 W Max
15 - 17.9 Vdc	16 A Max	240 W Max
18 - 35 Vdc	13.25 A Max	240 W Max
35.1 - 57 Vdc	6.6 A Max	240 W Max

Electrical Characteristics

Input Voltage & Frequency:	90 - 264 (47 - 63 Hz)
Input Current:	3 A Max
Leakage Current:	Class I: 3.5mA Max. Class II: 0.25mA Max.
Ripple & Noise (Pk-Pk):	1% of O/P voltage
Operating Temperature:	-20°C to +40°C
Efficiency:	DoE Level 6 (VI) EC:2019/1782 CoC v5 Tier 2
Withstanding Voltage:	Input to Output: 3000 VAC
Mean Time Between Failure (MTBF):	100,000 Hrs Min. (Telcordia SR-332)
Protections:	Short Circuit Protection, Over-voltage Protection, Over-current Protection, Over-temperature Protection
Industry Compliance:	Directive (EU) 2015/863 (RoHS 3), REACH, DoE VI, EC:2019/1782, CoC v5 Tier 2
EMI/EMC Requirements:	FCC Part 15 Class B, EN 55032 Class B, AS/NZS CISPR-32 Class B, J55032(H29), ICES-003, EN 55035, EN/IEC 61000-3-2, -3-3, GB 17625.1-2022
Safety Compliance:	UL/CSA:62368(Ed.2), EN:62368(Ed.2), J:62368(Ed.3), GB:4943.1-2022



Not seeing what you are looking for? Contact us:

Tel. (516) 433-1313 · 264 Duffy Avenue, Hicksville, New York 11801 · www.apxonline.com · Email: sales@apxonline.com