

SP18WP2RY Wall Mount Series

ITE - Fixed wall mount



18 - 19 Watts

Highlights:

- ✓ 18 - 19 W output power
- ✓ 12 - 30 Vdc
- ✓ US, EU, AUS, UK, China AC input options
- ✓ RoHS, REACH, DoE VI, CoC v5 Tier 2 compliant
- ✓ Certified: UL/CUL|CE|RCM|PSE|CCC
- ✓ 3 Year Warranty
- ✓ Can be modified or customized for an exact fit solution

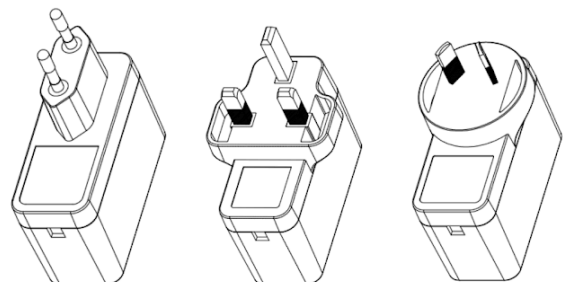
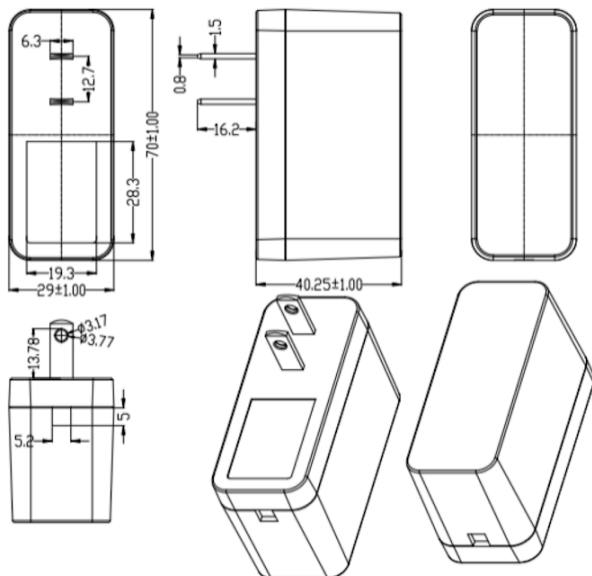


Output voltage and current

| Output Voltage Range: | Output Current: | Output Power: |
|-----------------------|-----------------|---------------|
| 12 - 14.9 Vdc | 1.5 A Max | 18 W Max |
| 15 - 30 Vdc | 1.2 A Max | 19 W Max |

Electrical Characteristics

| | |
|-----------------------------------|---|
| Input Voltage & Frequency: | 90 - 264 (47 - 63 Hz) |
| Input Current: | 0.5 A Max |
| Leakage Current: | Class I: 3.5mA Max. Class II: 0.25mA Max. |
| Ripple & Noise (Pk-Pk): | 1% of O/P voltage |
| Operating Temperature: | -20°C to +40°C |
| Efficiency: | DoE Level 6 (VI) EC:2019/1782 CoC v5 Tier 2 |
| Withstanding Voltage: | Input to Output: 3000 VAC |
| Mean Time Between Failure (MTBF): | 100,000 Hrs Min. (Telcordia SR-332) |
| Protections: | Short Circuit Protection, Over-voltage Protection, Over-current Protection, Over-temperature Protection |
| Industry Compliance: | Directive (EU) 2015/863 (RoHS 3), REACH, DoE VI, EC:2019/1782, CoC v5 Tier 2 |
| EMI/EMC Requirements: | FCC Part 15 Class B, EN 55032 Class B, I55032(H29), ICES-003, EN 55035, EN/IEC 61000-3-2, -3-3, GB 17625.1-2022 |
| Safety Compliance: | UL/CSA:62368(Ed.3), EN:62368(Ed.2), AS/NZS:62368.1:2018, J:62368(Ed.3), GB:4943.1-2022 |



Not seeing what you are looking for? Contact us:

Tel. (516) 433-1313 · 264 Duffy Avenue, Hicksville, New York 11801 · www.apxonline.com · Email: sales@apxonline.com