

SM90P Desktop Series

Medical - Desktop



90 Watts

Highlights:

- ✓ 90 W output power
- ✓ 12 - 48 Vdc
- ✓ C8 AC input
- ✓ RoHS, REACH, DoE VI, CoC v5 Tier 2
- ✓ 2x MOPP Protection, Suitable for BF applications
- ✓ Certified: UR/CUR|CE
- ✓ 3 Year Warranty
- ✓ Can be modified or customized for an exact fit solution

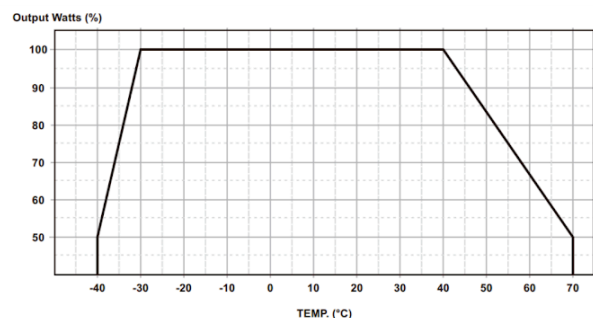
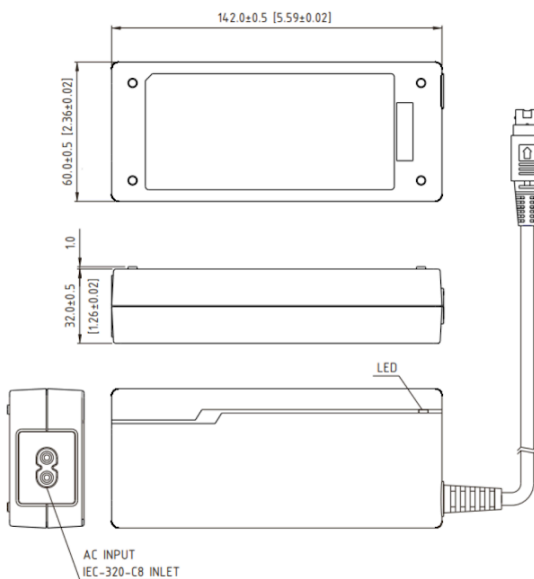


Output voltage and current

Output Voltage Range:	Output Current:	Output Power:
12 - 12 Vdc	7.5 A Max	90 W Max
15 - 15 Vdc	6 A Max	90 W Max
18 - 18 Vdc	5 A Max	90 W Max
19 - 19 Vdc	4.73 A Max	90 W Max
24 - 24 Vdc	3.75 A Max	90 W Max
48 - 48 Vdc	1.87 A Max	90 W Max

Electrical Characteristics

Input Voltage & Frequency:	70 - 264 (47 - 63 Hz)
Input Current:	0.45 A Max
Leakage Current:	0.1mA Max.
Ripple & Noise (Pk-Pk):	100 - 150 mV
Operating Temperature:	-40°C to +70°C (Derated linearly from 100% @ +40°C to 50% @ +70°C)
Efficiency:	DoE Level 6 (VI) EC:2019/1782 CoC v5 Tier 2
Withstanding Voltage:	Input to Output: 4000 VAC
Mean Time Between Failure (MTBF):	1,000,000 Hrs Min. (Telcordia SR-332)
Protections:	Short Circuit Protection, Over-voltage Protection, Over-current Protection, Over-temperature Protection
Industry Compliance:	Directive (EU) 2015/863 (RoHS 3), REACH, DoE VI, EC:2019/1782, CoC v5 Tier 6
EMI/EMC Requirements:	FCC Part 18 Class B, EN 55011 Class B, J55032(H29), ICES-003, EN 55035, EN/IEC 61000-3-2, -3-3
Safety Compliance:	UR/CUR:60601(3.1), UR/CUR:60601(3.2), EN:60601(3.1), EN:60601(3.2), PSE, IEC 62368-1 Ed.3 CB



Not seeing what you are looking for? Contact us:

Tel. (516) 433-1313 · 264 Duffy Avenue, Hicksville, New York 11801 · www.apxonline.com · Email: sales@apxonline.com