

# IB45WPPDG GaN Wall Mount Series

## GaN USB-PD Interchangeable Wall Mount



### 45W 1× Fixed USB-C Cable

#### Highlights:

- ✓ 45W 1× Fixed USB-C Cable
- ✓ USB Power Delivery | Gallium Nitride (GaN) Design
- ✓ USB-C: 5V, 9V, 12V, 15V, 20V
- ✓ US, EU, AUS, UK AC input options
- ✓ RoHS, REACH, DoE VI, CoC v5 Tier 2 compliant
- ✓ Certified: UL/CUL|CE|PSE|CCC
- ✓ 3 Year Warranty
- ✓ Can be modified or customized for an exact fit solution

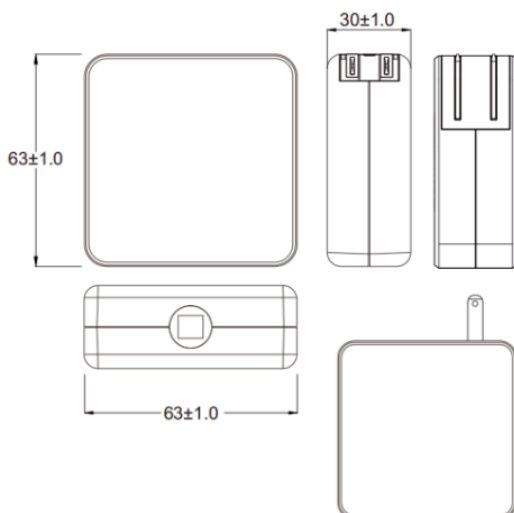


#### Output voltage and current

Port Type	Output Voltage and Current:	Output Power:
USB-C Cable	5V @ 3A, 9V @ 3A, 12V @ 3A, 15V @ 3A, 20V @ 2.25A	45W

#### Electrical Characteristics

Charging Protocols:	PD2.0/PD3.2/QC2.0/QC3.0/QC3+/QC4.0/QC4 SCP FCP AFC BC1.2 Apple SAMSUNG 2.0A
Input Voltage & Frequency:	90 - 264 (47 - 63 Hz)
Input Current:	1.5 A Max
Leakage Current:	Class I: 3.5mA Max.   Class II: 0.25mA Max.
Ripple & Noise (Pk-Pk):	1% of O/P voltage
Operating Temperature:	-20°C to +40°C
Efficiency:	DoE Level VI and CoC v5 Tier 2 Criteria
Withstanding Voltage:	Input to Output: 3000 VAC
Mean Time Between Failure (MTBF):	100,000 Hrs Min. (Telcordia SR-332)
Protections:	Short Circuit Protection, Over-voltage Protection, Over-current Protection, Over-temperature Protection
Industry Compliance:	Directive (EU) 2015/863 (RoHS 3), REACH, DoE VI, EC:2019/1782, CoC v5 Tier 2
EMI/EMC Requirements:	FCC Part 15 Class B, EN 55032 Class B, AS/NZS CISPR-32 Class B, J55032(H29), ICES-003, EN 55035, EN/IEC 61000-3-2, -3-3, GB 17625.1-2022
Safety Compliance:	UL/CSA:62368(Ed.3), EN:62368(Ed.3), J:62368(Ed.3), GB:4943.1-2022



Not seeing what you are looking for? Contact us:

Tel. (516) 433-1313 · 264 Duffy Avenue, Hicksville, New York 11801 · [www.apxonline.com](http://www.apxonline.com) · Email: [sales@apxonline.com](mailto:sales@apxonline.com)