



# IB30WP – IB65WP Series

30 - 65 Watt Interchangeable AC - DC Wall Plug-In  
Energy Efficiency Level VI, CoC v5 Tier 2

Date: 10/27/17

Rev: 102717

Page: 1 of 3

The IB30WP – IB65WP Series switch mode power supply offer 30 Watts to 65 Watts output power, with an output voltage range of 3.3 Vdc – 57 Vdc. Wall plug-in case style with 4 interchangeable input plugs, enabling the unit to be used worldwide, with UL/cUL, EN and IEC 60950-1 2<sup>nd</sup> Edition approvals, Energy Efficiency Level 6, and CoC v5 Tier 2.

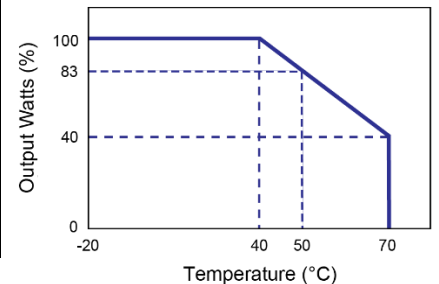


Input Voltage	90 to 264 Vac
Input Frequency	47 to 63 Hz
Input Current	1.2 A Max.
Leakage Current	5 mA Max.
Output Voltage & Current	See Table on Page 2
Ripple & Noise (P-P)	300 mV Max <i>Measured w/ 0.1 μF ceramic capacitor &amp; 10 μF electrolytic capacitor in parallel</i>
Over-Current Protection	150%
Over-Voltage Protection	125%
Efficiency	Meets Energy Efficiency Level VI and CoC v5 Tier 2 Criteria
No Load Power Consumption	Meets Energy Efficiency Level VI and CoC v5 Tier 2 Criteria
Load Regulation	± 5% Typ.
Withstanding Voltage	Input to Output: 3,000 Vac
Mean Time Between Failure	Full Load at 25°C Ambient: 100,000 Hours Min
Operating Temperature	See Derating Curve
Storage Temperature	-40 to 70°C
Industry Compliance	Directive 2011/65/EU (RoHS 2), Double Insulation, Energy Efficiency Level VI, CoC v5 Tier 2
EMI Requirements	Meets Conduction and Radiation Limits of: FCC Part 15 Class B, CISPR-22 Class B, and EN 55022 Class B
Safety Compliance	UL/c-UL (UL 60950-1:2nd Edition), TUV/GS (EN 60950-1:2nd Edition), GE, KC, TUV/PSE, RCM

## Features:

- Universal Input 100 - 240 Vac
- Class II
- Available with U.S., European, British, and Australian Input Plugs
- Over-Current Protection
- Over-Voltage Protection
- Short Circuit Protection
- 100% Burn-In
- RoHS 2 Compliant
- Energy Efficiency Level: VI
- CoC v5 Tier 2

Derating Curve



Derate Linearly from 100% at 40°C to 40% at 70°C



# IB30WP – IB65WP Series

30 - 65 Watt Interchangeable AC - DC Wall Plug-In  
Energy Efficiency Level VI, CoC v5 Tier 2

Date: 10/27/17

Rev: 102717

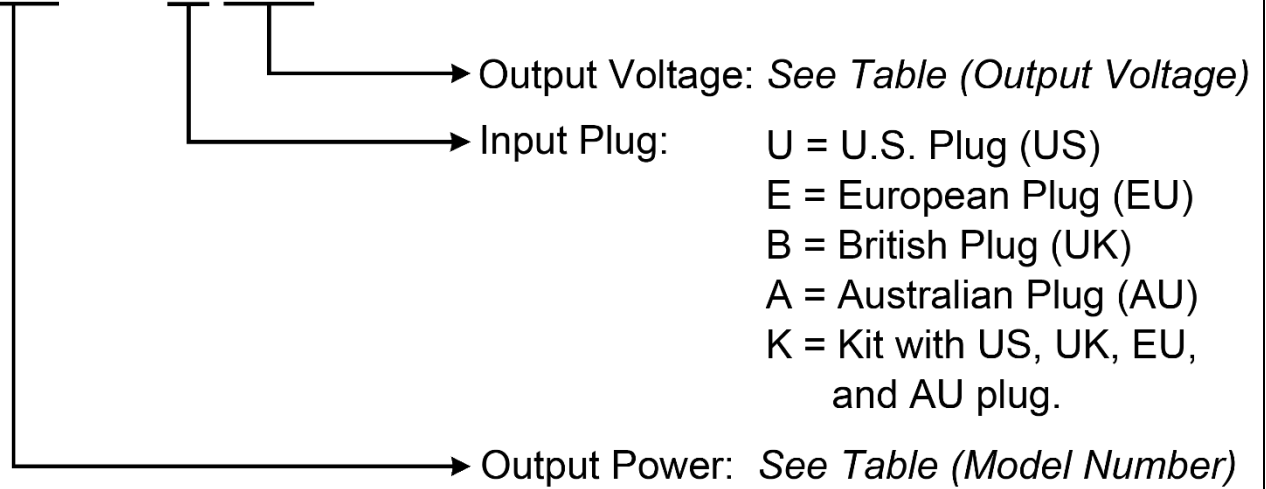
Page: 2 of 3

## Output Voltage and Current Table

Model Number	Output Voltage	Output Current <i>Limited to Output Power †</i>	Output Power
IB__WP__R	3.3 – 57 Vdc	9.0 A Max	30 – 45 W
IB__WP__R	6.0 – 57 Vdc	7.5 A Max	46 – 56 W
IB__WP__R	12.0 – 57 Vdc	5.0 A Max	57 – 65 W

† To find Output Current:  $\text{Output Current} = \text{Max Power} \div \text{Output Voltage}$   
*Example: Output Current for IB50WP\_10R*  
*(10 Vdc Output)*  
 $\text{Output Current} = 50 \text{ W} \div 10 \text{ V}$   
 $\text{Output Current} = 5 \text{ A}$

IB   WP    R





# IB30WP – IB65WP Series

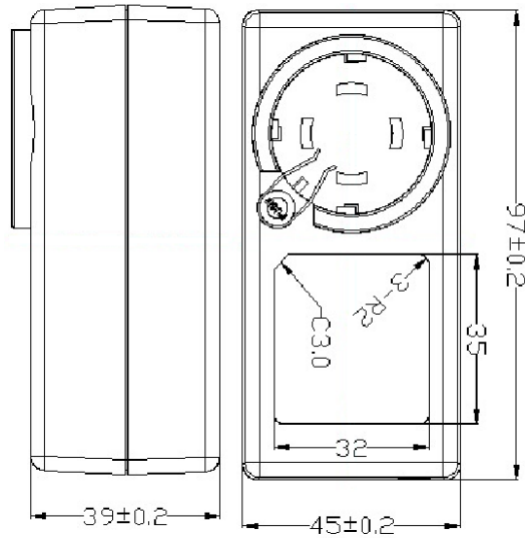
30 - 65 Watt Interchangeable AC - DC Wall Plug-In  
Energy Efficiency Level VI, CoC v5 Tier 2

Date: 10/27/17

Rev: 102717

Page: 3 of 3

## Mechanical Specification (mm)



U	IBWPUR	U.S. Plug	E	IBWPER	European Plug
A	IBWPAR	Australian Plug	B	IBWPBR	British Plug

Note: Input Plugs can be purchased individually. Output connector to be specified by customer. APX will be happy to recommend the appropriate connector for your application needs. The cable length and wire gauge will be dependent on the Energy Efficiency level requirements.