



IM07Q1R – IM12Q1R Series

7 - 12 Watt AC-DC Medical Interchangeable Wall Plug-In
IEC 60601-1-2 4th Ed. EMC, Energy Efficiency Level VI

Date: 9/18/17

Rev: 041817

Page: 1 of 1

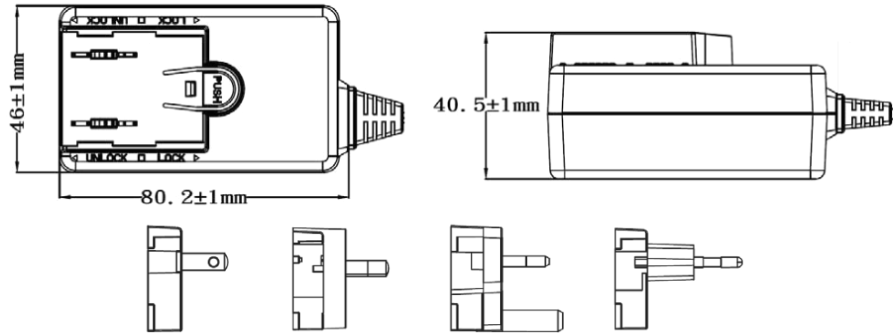


The IM07Q1R – IM12Q1R Series switch mode power supply offers 7 Watts to 12 Watts output power, with an output voltage range of 3.3 Vdc – 24 Vdc. Case style is an interchangeable wall plug-in with choice of U.S., Euro, U.K., or Australian prongs and meets ES, EN and IEC 60601-1 3.1 Edition safety approvals, IEC 60601-1-2 4th Edition EMC, IEC 60950-1 2nd Edition Safety approval, and Energy Efficiency Level 6.



Features:

- Dual ITE and Medical Approvals
- U.S., Euro, U.K., or Australian AC Prong Options
- 2x MOPP Protection
- Touch Current: < 100 μ A (< 10 μ A optional)
- Over-Voltage, Over-Current, and Short Circuit Protection
- 100% Burn-In
- RoHS 2 Compliant
- Energy Efficiency Level: VI
- Meets IEC 60950-1 2nd Edition
- Meets IEC 60601-1-2: 2014 4th Ed. EMC Requirements



IM□□Q1R□□R

- Output Voltage: See Table
- Input Plug: U = U.S. Plug (US)
E = European Plug (EU)
B = British Plug (UK)
A = Australian Plug (AU)
K = Kit with US, UK, EU, and AU plug.
- Output Power: See Table

Electrical Information

Input Voltage	90 to 264 Vac
Input Frequency	47 to 63 Hz
Input Current	0.32 – 0.19 A
Over-Voltage Protection	Unit is protected from over-voltage conditions
Over-Current Protection	Unit is protected from over-current conditions
Hold-Up Time	10 ms
Operating Temperature	0 - 40°C
Storage Temperature	-20 - 80°C
Weight	140 g (Ref.)
Industry Compliance	RoHS 2, Energy Efficiency Level VI
EMC Requirements	IEC 60601-1-2: 2014 4th Edition
EMI Requirements	Meets Conduction and Radiation Limits of: Class B: FCC Part 18, CISPR-11, EN 55011
Safety Compliance	UR/c-UR (ES60601-1: 3.1 Edition), TUV/GS, RCM, TUV T- Mark (EN/IEC 60601-1: 3.1 Edition), CE, PSE, BSMI, CB (IEC 60601-1: 3.1 Edition, IEC 60950-1: 2nd Edition)

Output Voltage	Output Current	Output Power (Max.)
3.3 Vdc	2.00 A	6.6 W
5.0 Vdc	2.00 A	10.0 W
5.0 Vdc	3.00 A	15.0 W
5.9 Vdc	2.00 A	11.8 W
6.2 Vdc	2.00 A	12.40 W
9.0 Vdc	1.20 A	10.8 W
12.0 Vdc	1.00 A	12.0 W
15.0 Vdc	0.80 A	12.0 W
18.0 Vdc	0.66 A	12.0 W
24.0 Vdc	0.50 A	12.0 W

Note: Output connector to be specified by customer. APX will be happy to recommend the appropriate connector for your application needs. The cable length and wire gauge will be dependent on the Energy Efficiency level requirements.