



# SM84Q1R – SM90Q1R Series

Date: 3/31/17

84 - 90 Watt AC-DC Medical Desktop Power Supply

Rev: 033117

IEC 60601-1-2 4<sup>th</sup> Ed. EMC, Energy Efficiency Level VI

Page: 1 of 1

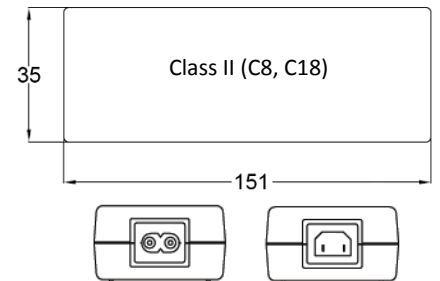
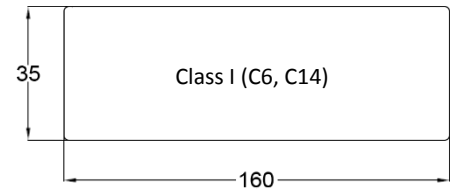
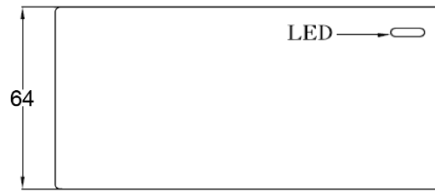
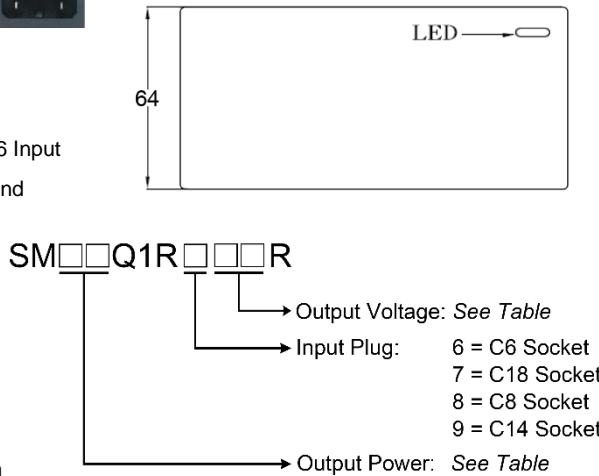


The SM84Q1R – SM90Q1R Series switch mode power supply offers 84 Watts to 90 Watts output power, with an output voltage range of 12 Vdc – 48 Vdc. Case style is a desktop enclosure with choice of IEC-320 C6, C8, C14, or C18 input sockets, with ES, EN and IEC 60601-1 3.1 Edition, IEC 60601-1-2 4<sup>th</sup> Edition EMC, and IEC 60950-1 2<sup>nd</sup> Edition Safety approvals, and Energy Efficiency Level 6.



### Features:

- Universal Input 100 - 240 Vac
- IEC 320 C18, C14, C8, and C6 Input
- Over-Voltage, Over-Current, and Short Circuit Protection
- 2 x MOPP Protection
- < 100  $\mu$ A Touch Current
- 100% Burn-In
- RoHS 2 Compliant
- Energy Efficiency Level: VI
- Meets IEC 60950-1 2<sup>nd</sup> Edition
- Meets IEC 60601-1-2: 2014 4<sup>th</sup> Edition EMC Requirements



### Electrical Information

<b>Input Voltage</b>	90 to 264 Vac
<b>Input Frequency</b>	47 to 63 Hz
<b>Input Current</b>	1.2 – 0.5 A
<b>Over-Voltage Protection</b>	Unit is protected from over-voltage conditions
<b>Over-Current Protection</b>	Unit is protected from over-current conditions
<b>Hold-Up Time</b>	10 ms
<b>Operating Temperature</b>	0 - 40°C
<b>Storage Temperature</b>	-20 - 80°C
<b>Weight</b>	450 - 460 g (Ref.)
<b>Industry Compliance</b>	RoHS 2, Energy Efficiency Level VI
<b>EMC Requirements</b>	IEC 60601-1-2: 2014 4 <sup>th</sup> Edition
<b>EMI Requirements</b>	Meets Conduction and Radiation Limits of: Class B: FCC Part 18, CISPR-11, EN 55011
<b>Safety Compliance</b>	UR/c-UR (ANSI/AAMI/ES 60601-1:2012 3.1 Edition), TUV T- Mark (EN/IEC 60601-1: 3.1 Edition), CE, FCC, PSE CB (IEC 60601-1: 3.1 Edition, IEC 60950-1: 2 <sup>nd</sup> Edition)

Output Voltage	Output Current	Output Power (Max.)
12 Vdc	7.00 A	84 W
15 Vdc	6.00 A	90 W
18 Vdc	5.00 A	90 W
19 Vdc	4.74 A	90 W
24 Vdc	3.75 A	90 W
48 Vdc	1.88 A	90 W

Note: Output connector to be specified by customer. APX will be happy to recommend the appropriate connector for your application needs. The cable length and wire gauge will be dependent on the Energy Efficiency level requirements.



TECHNOLOGIES INC.  
HICKSVILLE, NEW YORK

264 Duffy Avenue  
Hicksville, NY 11801

Tel: (516) 433-1313  
Fax: (516) 433-1457

Web: [www.apxonline.com](http://www.apxonline.com)  
Email: [sales@apxonline.com](mailto:sales@apxonline.com)

Specification subject to  
change without notice